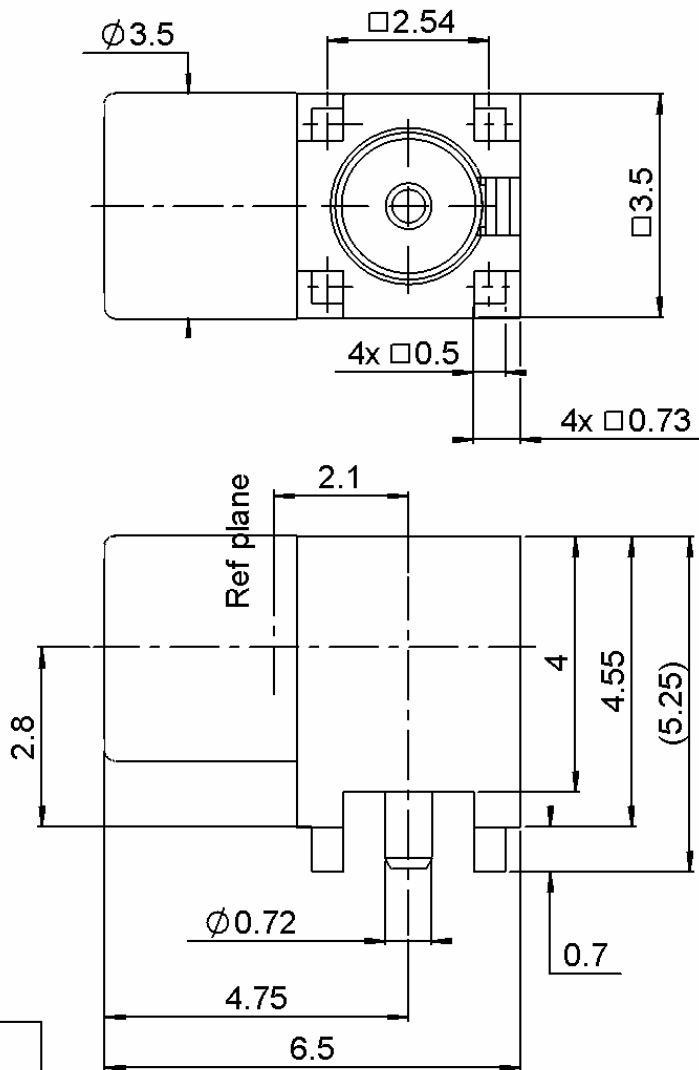


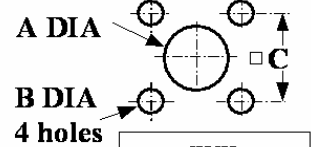
**RIGHT ANGLE FEMALE RECEPTACLE FOR PCB**  
**SOLDER LEGS - REEL OF 500**

**R110.665.860**

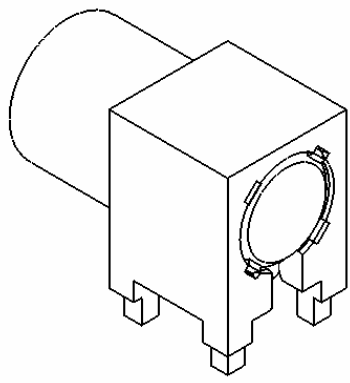
Series : MMCX

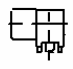


**PANEL CUT OUT**



mm		
	Maxi	mini
A	1.05	0.95
B	0.9	0.8
C	2.56	2.52



  
**Scale : 1/1**

All dimensions are in mm.

COMPONENTS	MATERIALS	PLATING (µm)
BODY	BRASS	GOLD 0.2 OVER NICKEL 2
CENTER CONTACT	BERYLLIUM COPPER	GOLD 1.3 OVER NICKEL 2
OUTER CONTACT		-
INSULATOR	PTFE	
GASKET		
OTHERS PARTS	BRASS	BBR 2
-	-	-
-	-	-

Issue : 0720 C

In the effort to improve our products, we reserve the right to make changes judged to be necessary.



**RIGHT ANGLE FEMALE RECEPTACLE FOR PCB**

**R110.665.860**

**SOLDER LEGS - REEL OF 500**

Series : MMCX

**PACKAGING**

**SPECIFICATION**

Standard	Unit	Other
<b>500</b>	<b>'W' option</b>	<b>Contact us</b>

**ELECTRICAL CHARACTERISTICS**

**ENVIRONMENTAL**

Impedance **50** Ω  
 Frequency **0-6** GHz  
 VSWR **NA + 0.0000** x F(GHz) Maxi  
 Insertion loss **NA** √F(GHz) dB Maxi  
 RF leakage - (**NA** - F(GHz)) dB Maxi  
 Voltage rating **250** Veff Maxi  
 Dielectric withstanding voltage **500** Veff mini  
 Insulation resistance **1000** MΩ mini

Operating temperature **-55/+155** ° C  
 Hermetic seal **NA** Atm.cm3/s  
 Panel leakage **NA**

**OTHER CHARACTERISTICS**

Assembly instruction **NA**

Others :

**MECHANICAL CHARACTERISTICS**

Center contact retention  
 Axial force – Mating end **10** N mini  
 Axial force – Opposite end **10** N mini  
 Torque **NA** N.cm mini

Recommended torque  
 Mating **NA** N.cm  
 Panel nut **NA** N.cm

Mating life **500** Cycles mini  
 Weight **0.4280** g

Issue : 0720 C

In the effort to improve our products, we reserve the right to make changes judged to be necessary.

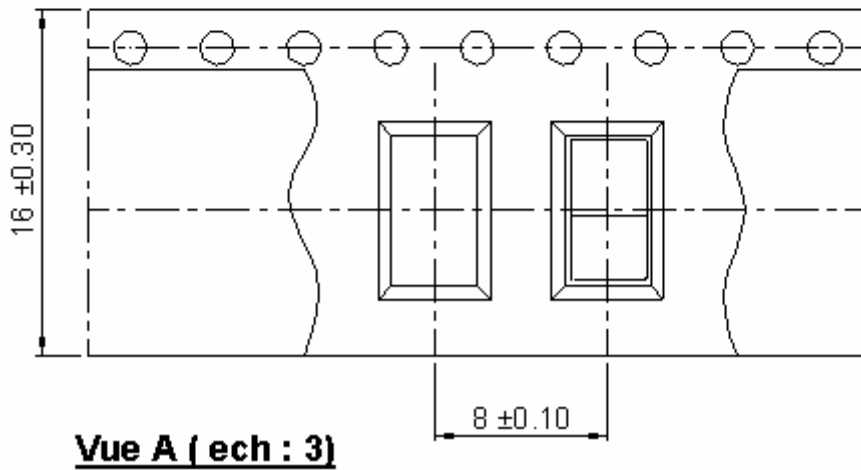
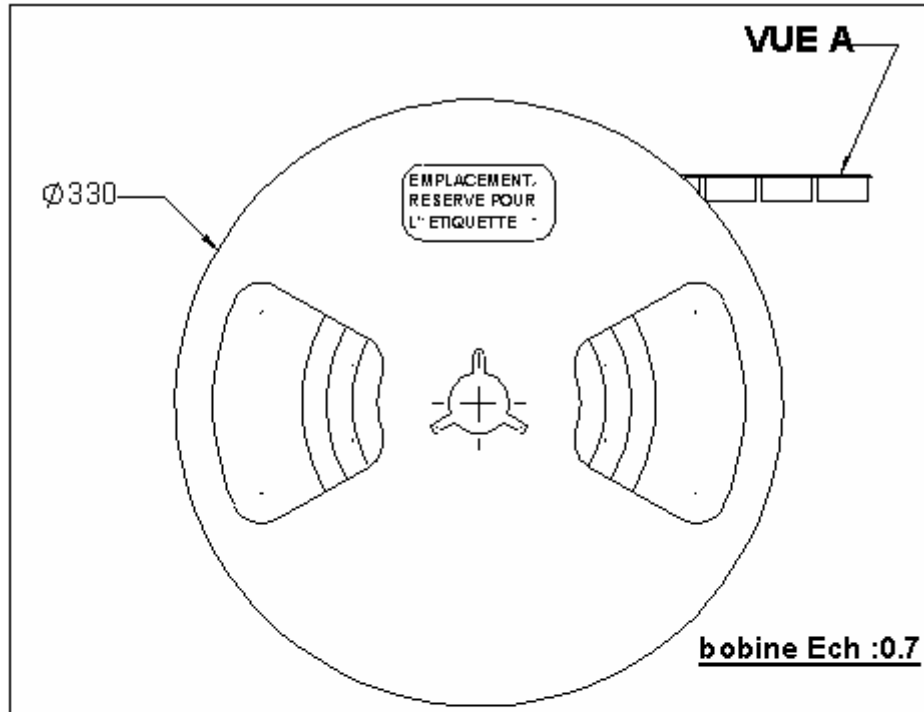


**RIGHT ANGLE FEMALE RECEPTACLE FOR PCB**

**R110.665.860**

**SOLDER LEGS - REEL OF 500**

Series : MMCX



Issue : 0720 C

In the effort to improve our products, we reserve the right to make changes judged to be necessary.



**RADIALL**®